

## 96 Deep Well Plate Filling and Sealing Machine

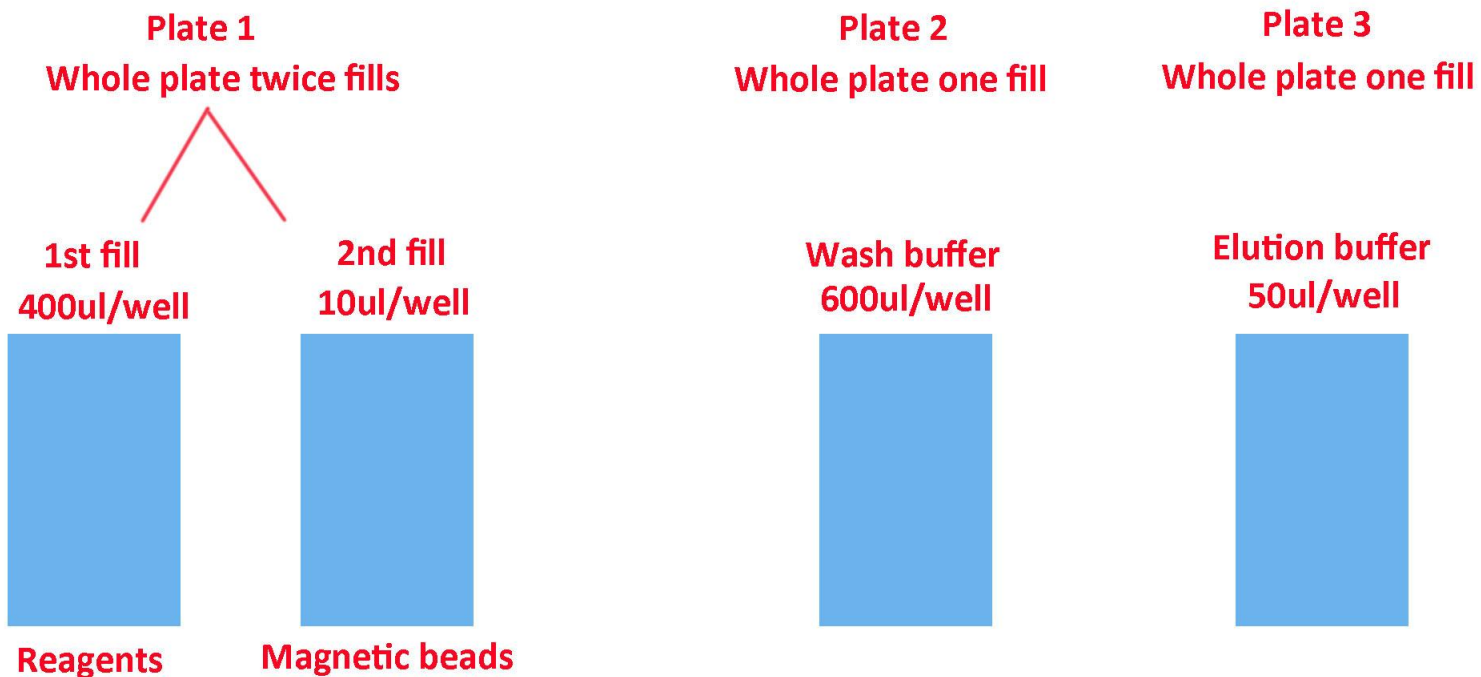


### Requirements:

1. Match 3 types filling: Plate1, Plate2, Plate3
2. Automated feeding plates
3. Automated filling reagents/magnetic beads
4. Automated sealing with foil film
5. Automated stick labels

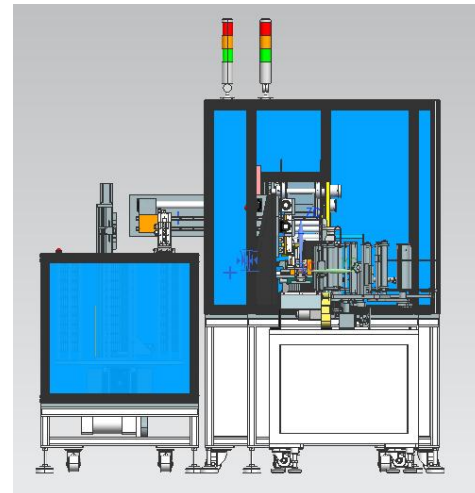
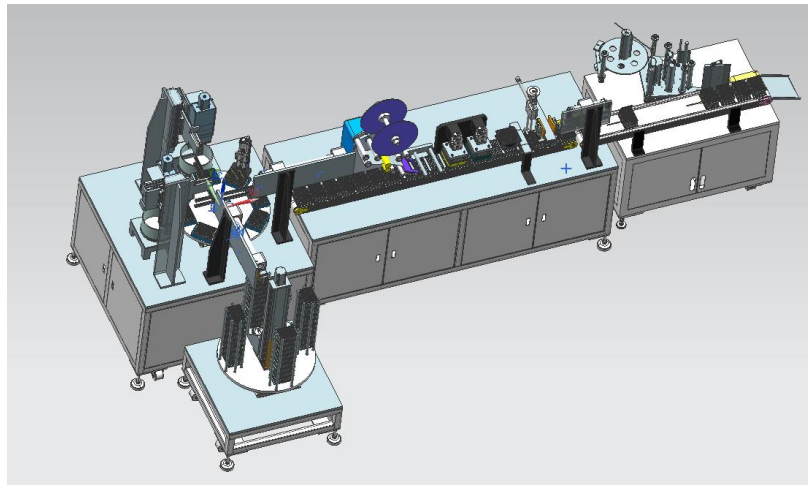
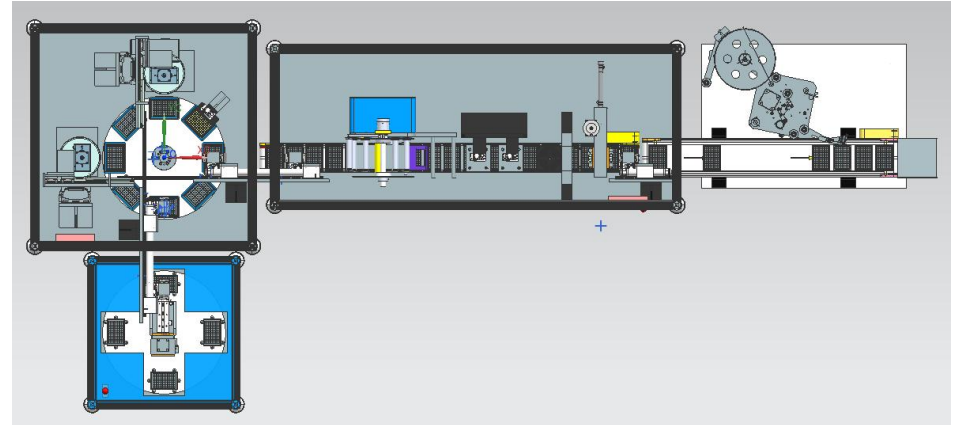
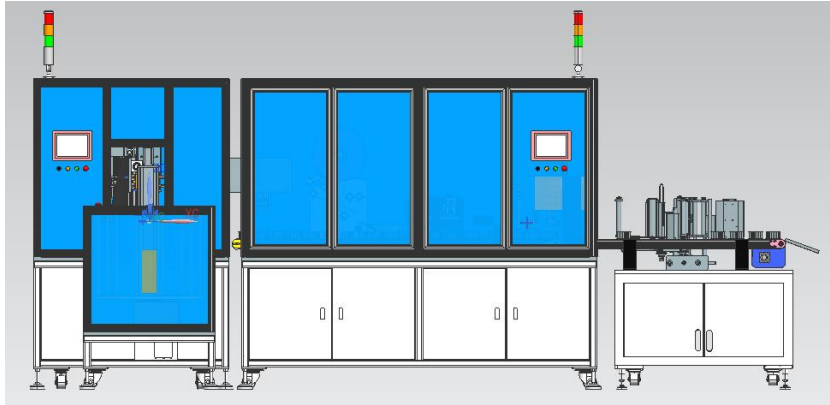
## 96 Deep Well Plate Filling and Sealing Machine

### Filling requirement



## 96 Deep Well Plate Filling and Sealing Machine

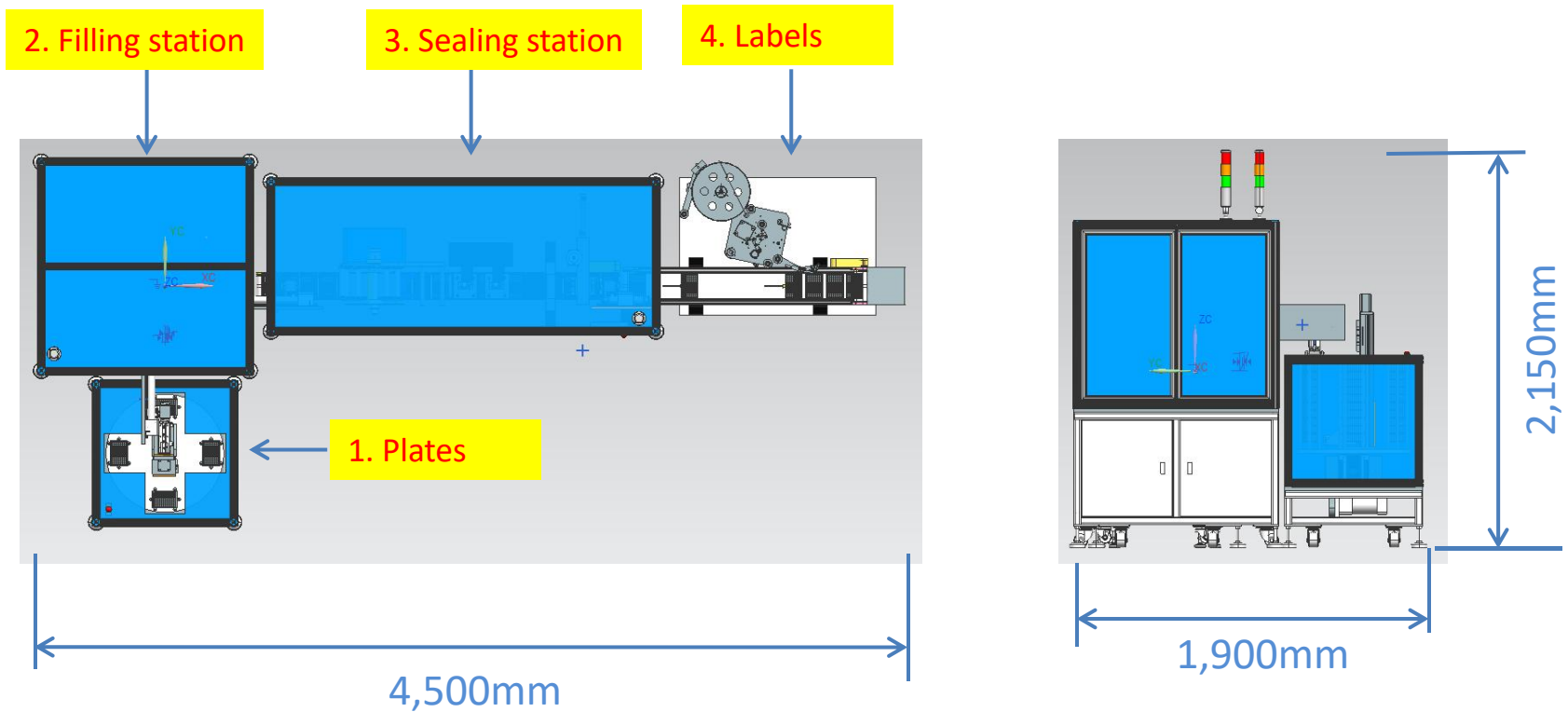
### Overview



## 96 Deep Well Plate Filling and Sealing Machine

### Dimension

L4,500 \* W1,900 \* H2,150



## 96 Deep Well Plate Filling and Sealing Machine

### Workstaions

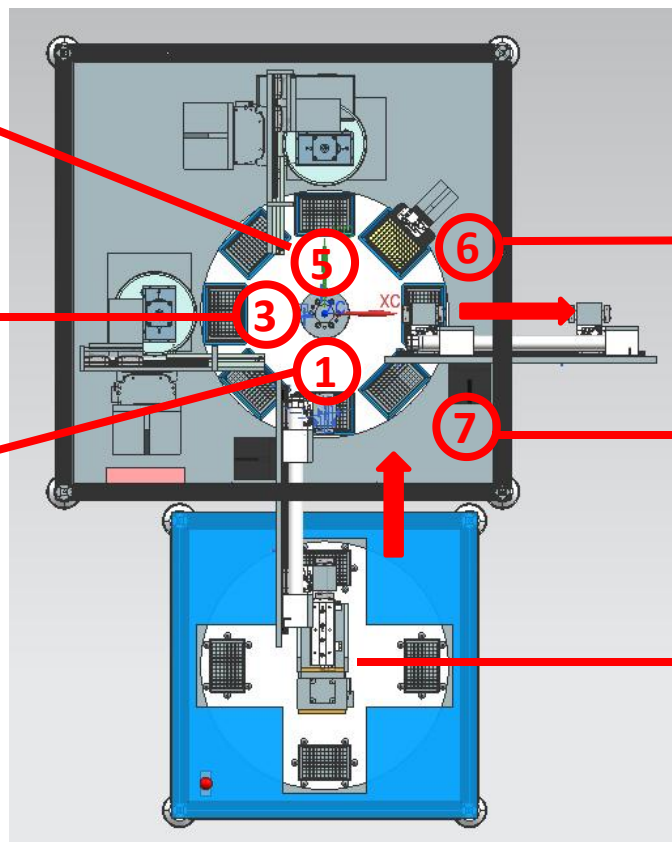
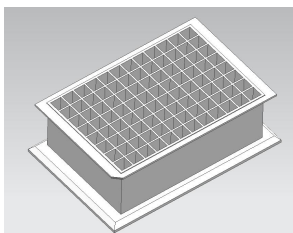
5. Magnetic beads filling station

3. Reagents filling station

1. Plate loading

6. Detection

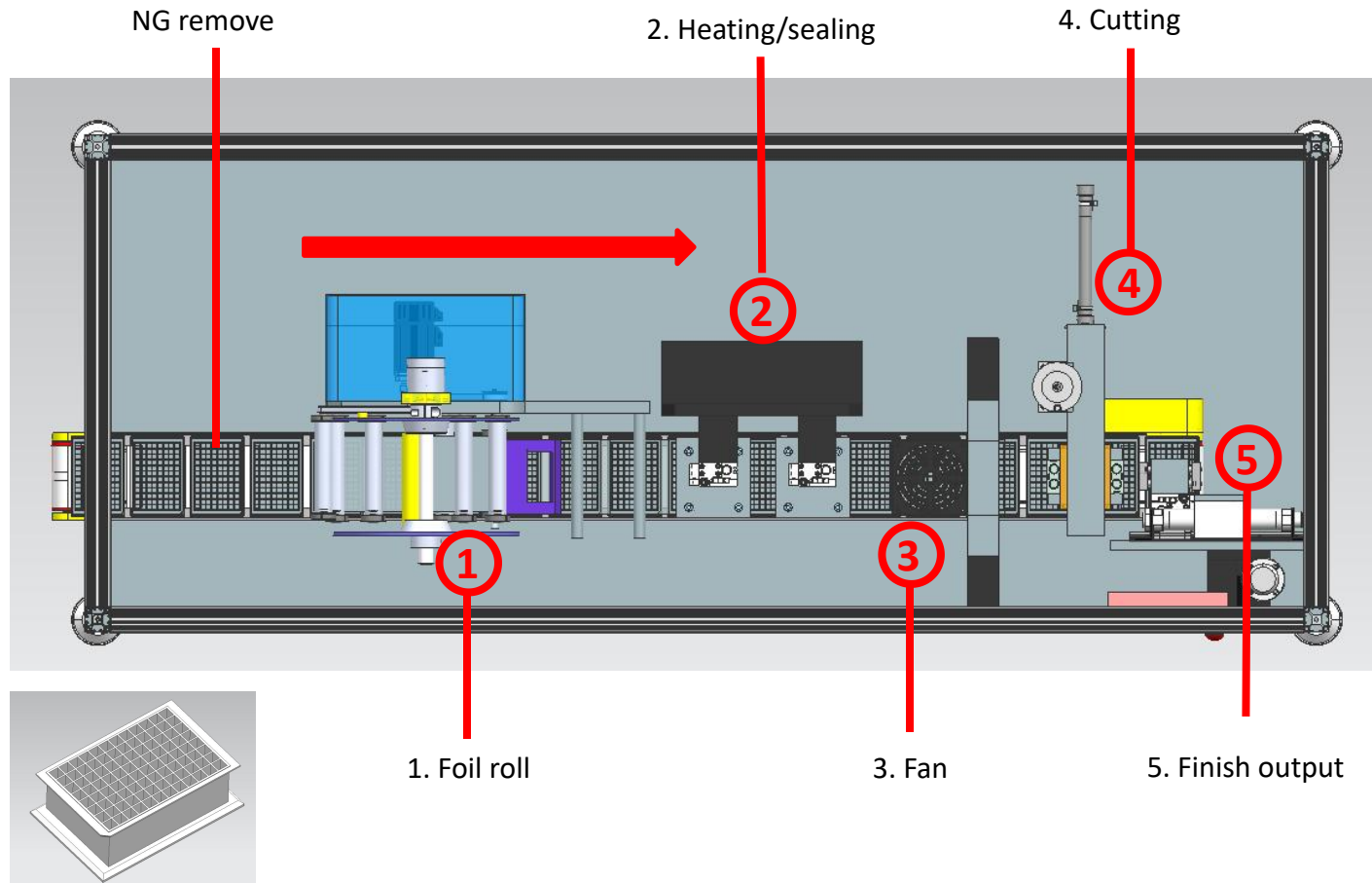
7. Finish output



Plates feeder  
40 plates/load

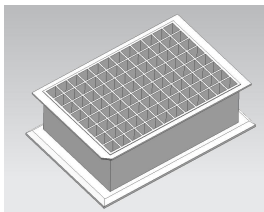
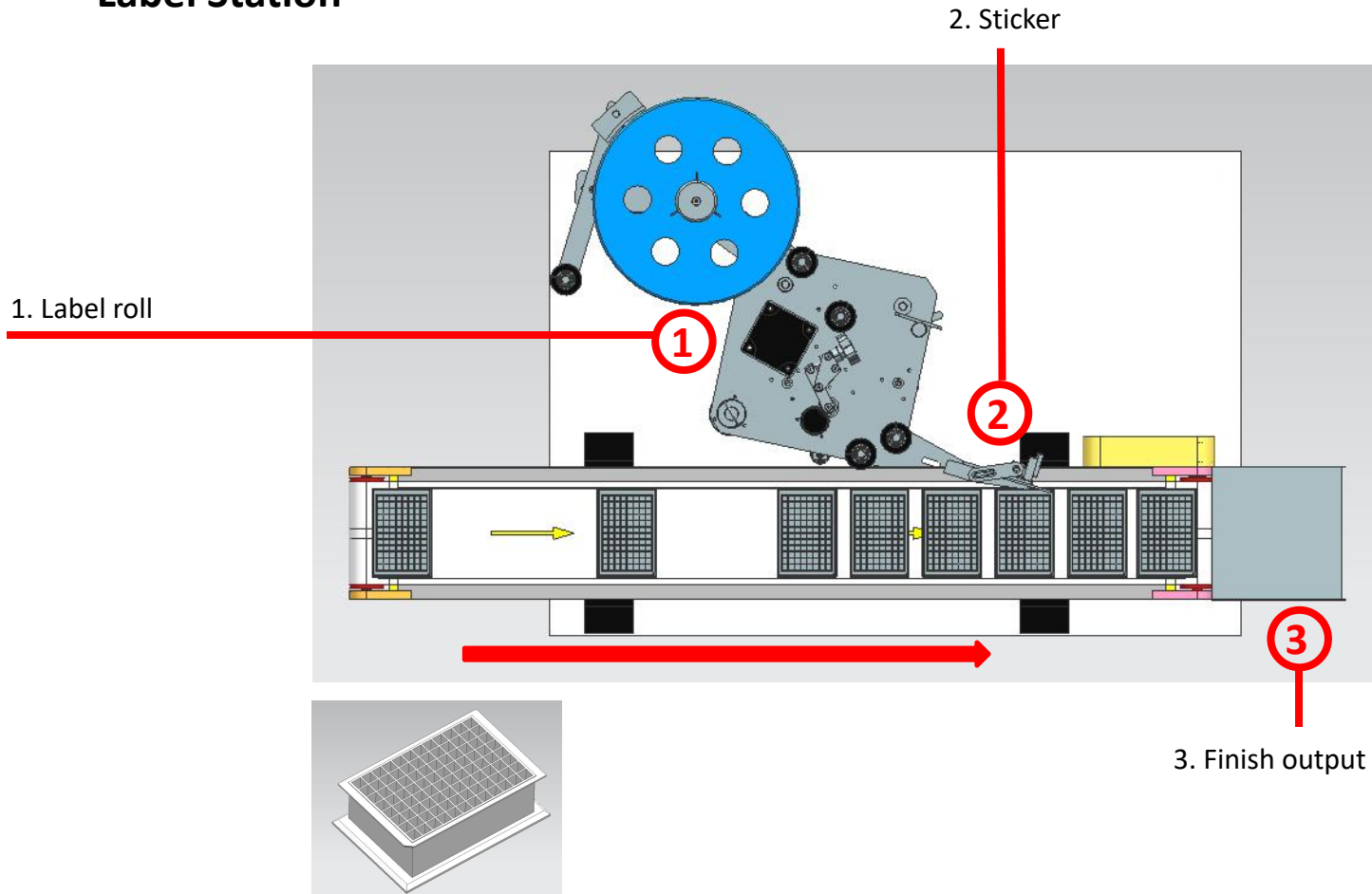
## 96 Deep Well Plate Filling and Sealing Machine

### Sealing Station



## 96 Deep Well Plate Filling and Sealing Machine

### Label Station



## 96 Deep Well Plate Filling and Sealing Machine

### Features:

1. Touch screen
2. Capacity: 900 plates/hour
3. 96 pipette filling head
4. NG products remove
5. Easy to use

### Operation:

1. Connect power supply and air supply
2. Place plates in feeder
3. Prepare reagents and magnetic beads
4. Install foil roll
5. Set heating temperature
6. Clean tubes
7. Start running



## 96 Deep Well Plate Filling and Sealing Machine

Parameters	
Capacity	900 plates/H
Activation	85%
Air supply	0.5~0.8MPa
Power supply	AC220V/50Hz
Internal power	DC/24V
Power	12.0 KW
Weight	1,600kg
Dimension	L4.5 * W1.9 * H1.8m
Wooden packing	L5.0 * W2.4 * H2.2(m)

## 96 Deep Well Plate Filling and Sealing Machine

Key components	
PLC	Mitsubishi/Panasonic
Operation system	ANTITECK
Servo	Inovance/KNK
Relay	Schneider/CHNT
Sensor	OMRON/Panasonic
Cylinder	SMC/AIRTAC
Solenoid valve	SMC/AIRTAC
Connector	SMC/AIRTAC