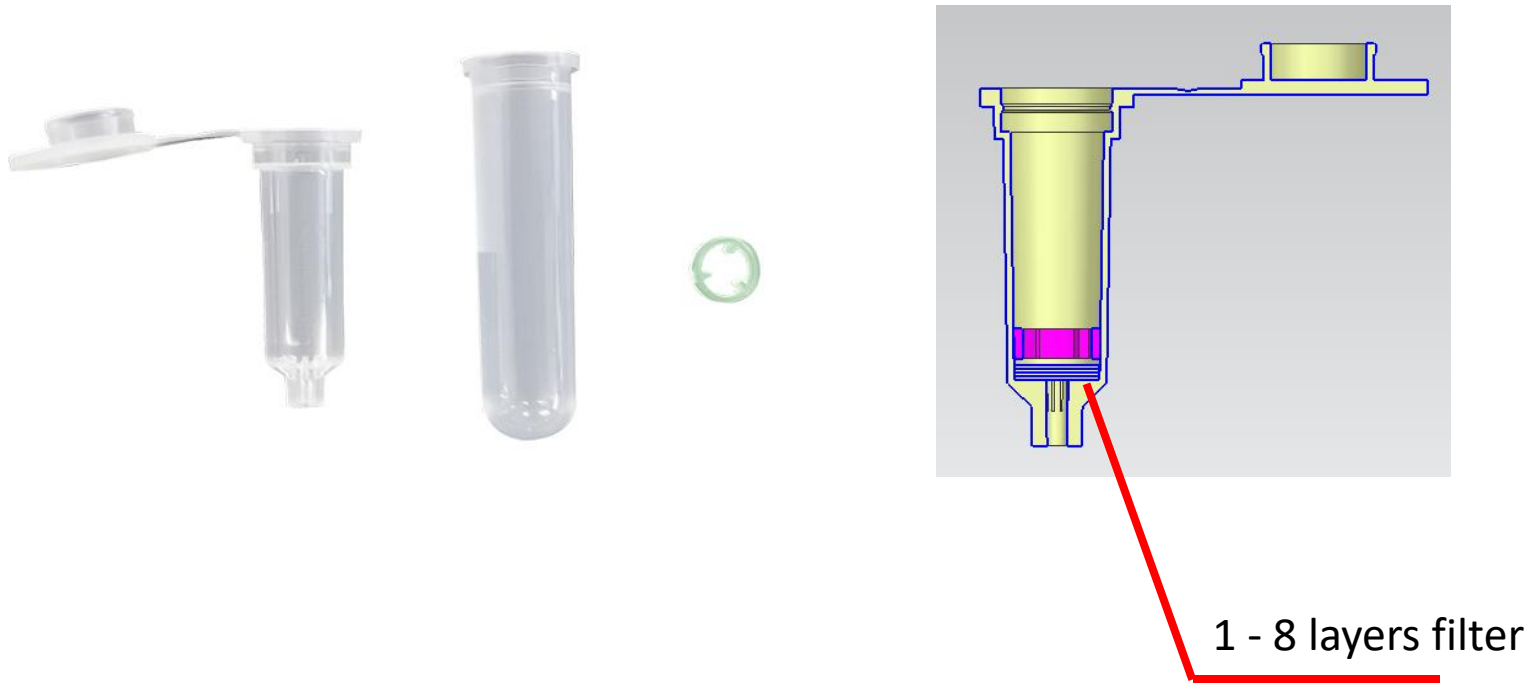


# Spin Column Assembly Machine

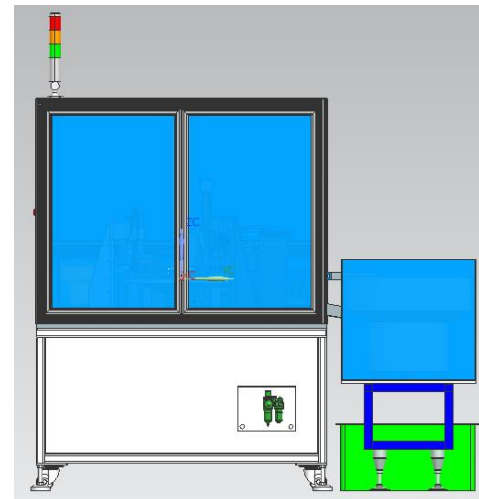
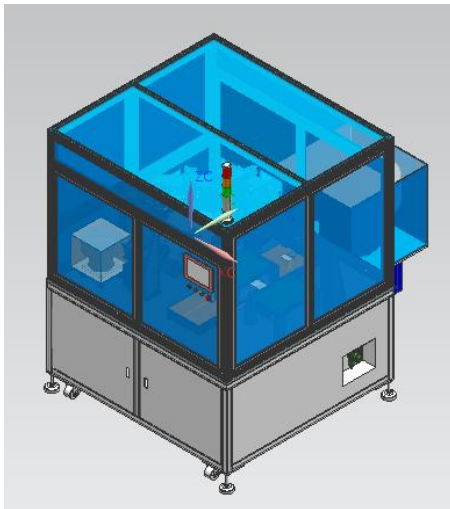
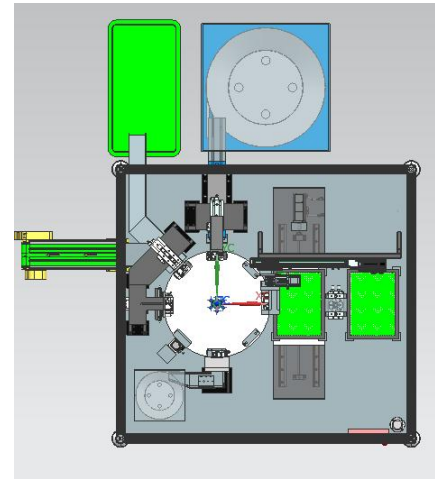
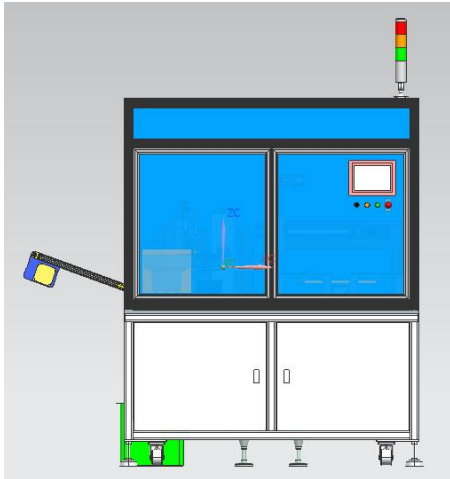
Model: LFD00170-1



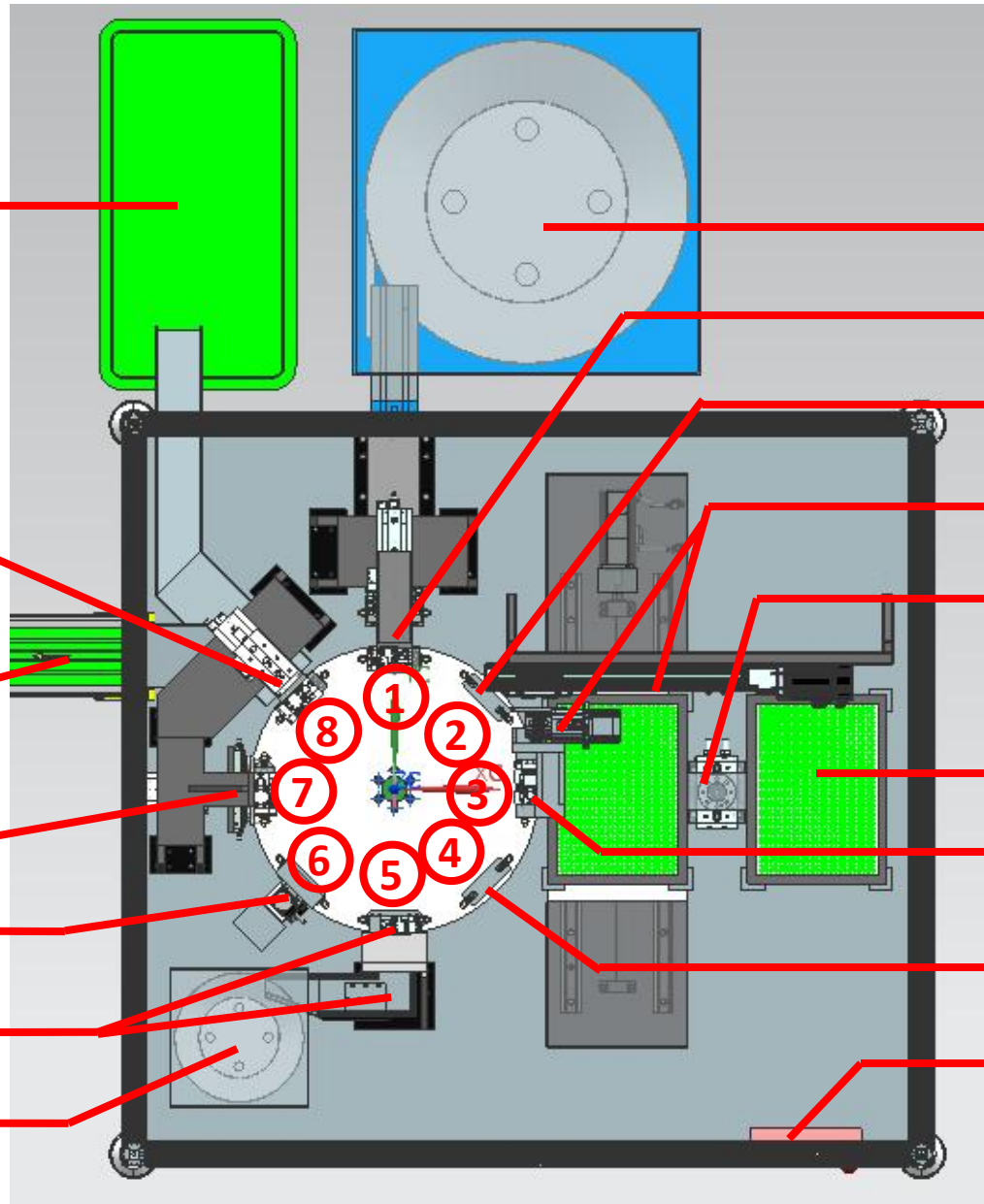
For 1 layer to 8 layers filter

# Spin Column Assembly Machine

## Overview



# Spin Column Assembly Machine



8.3 NG products

1.1 Spin column hooper

1.2 Spin column feeder

2. Sensor for detection

3. Filter robot

8.1 Output

3.2 Filter tray exchanger

8. Conveyor

3.3 Filter tray

7. Close lid

3.4 Filter feeder

6. O-ring press

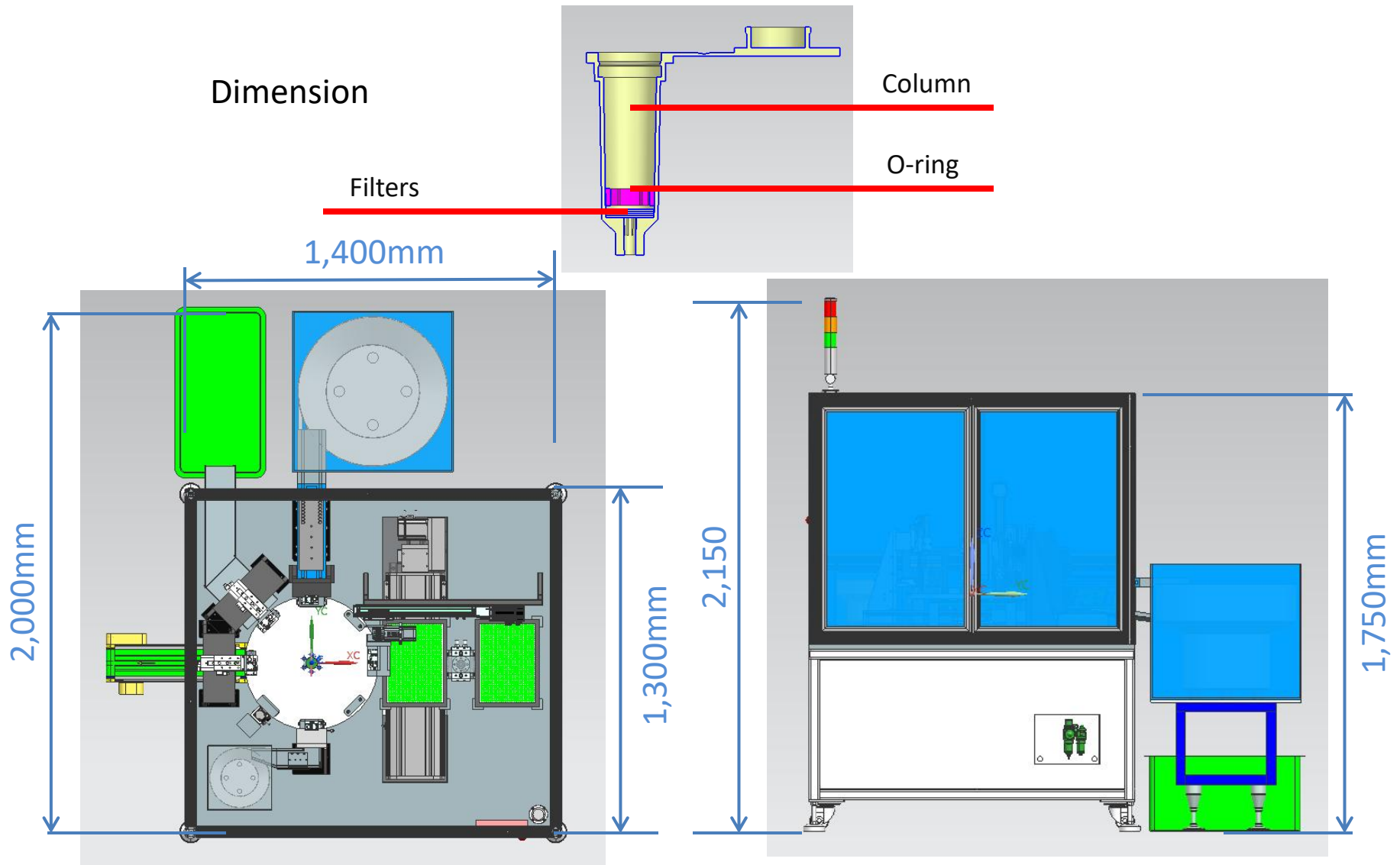
4.1 Sensor for filter detect

5.2 O-ring feeder

Control Pannel

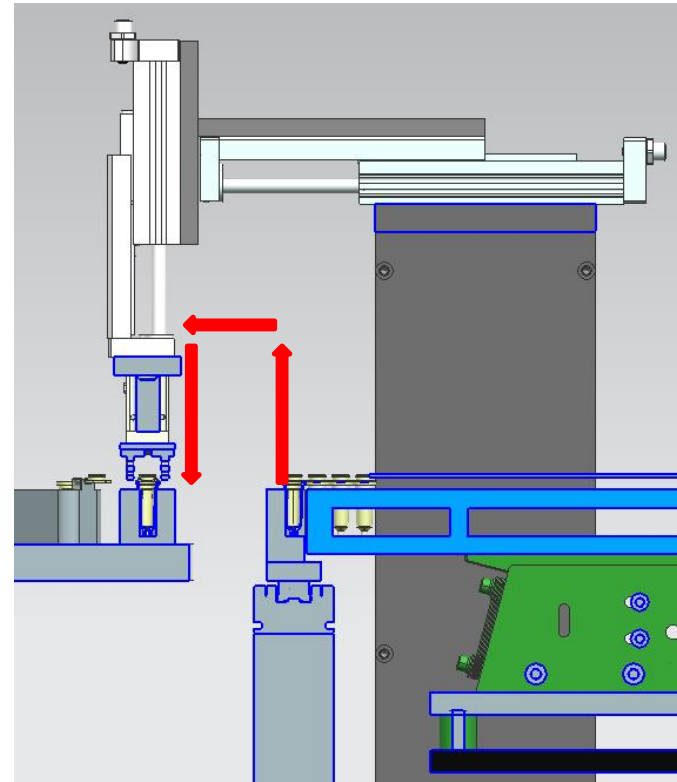
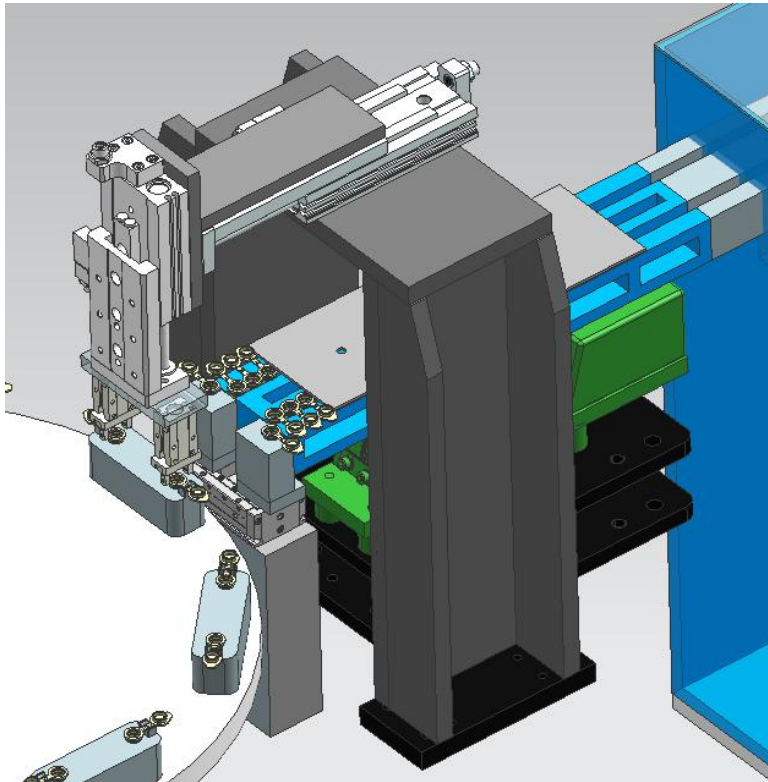
5.1 O-ring hooper

# Spin Column Assembly Machine



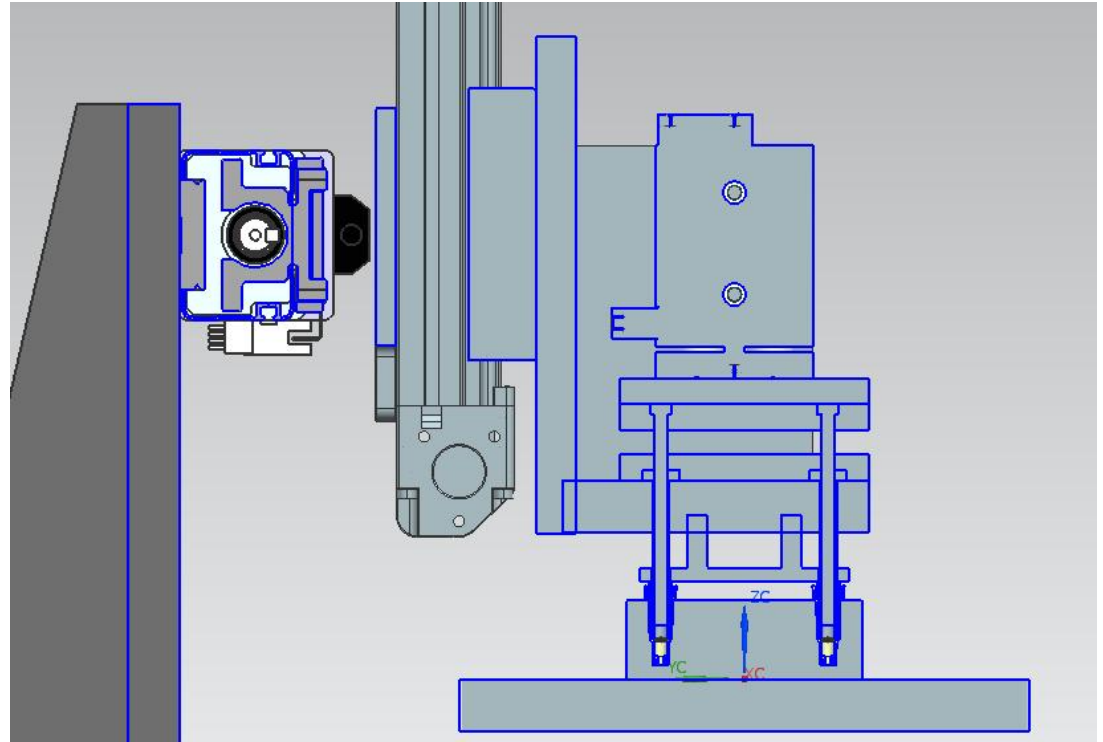
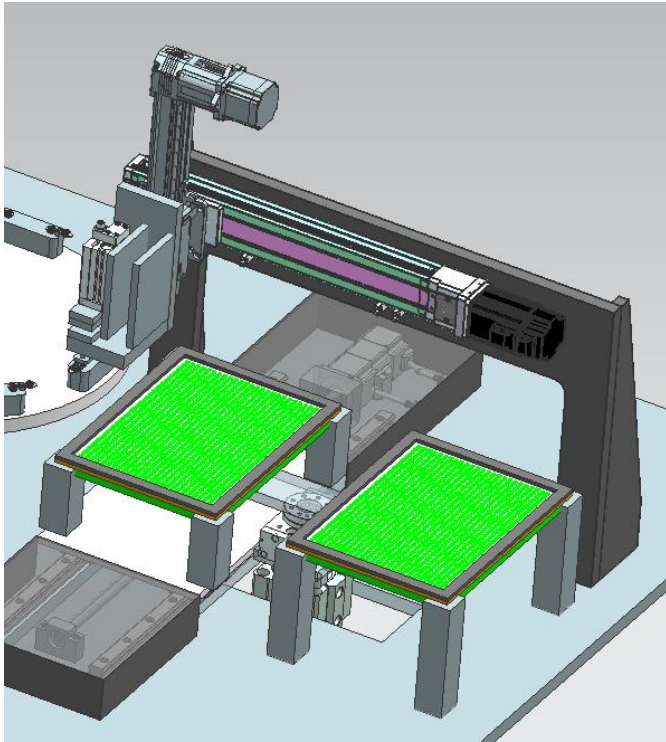
# Spin Column Assembly Machine

## Spin Column Feeding Station



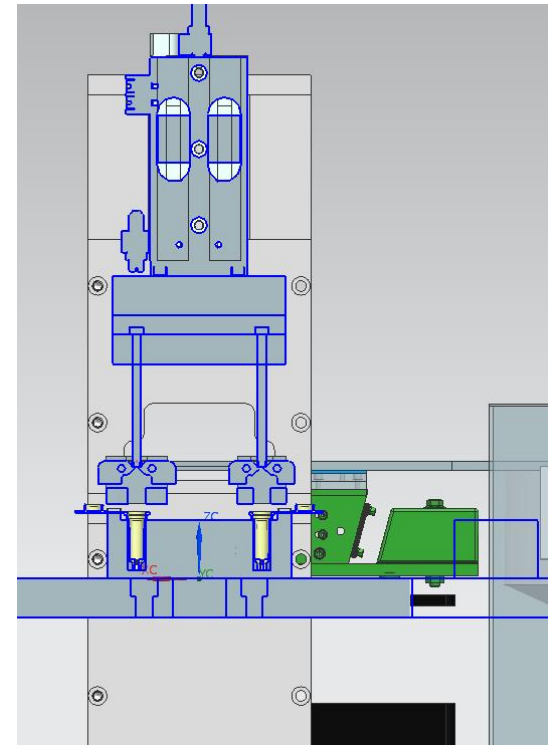
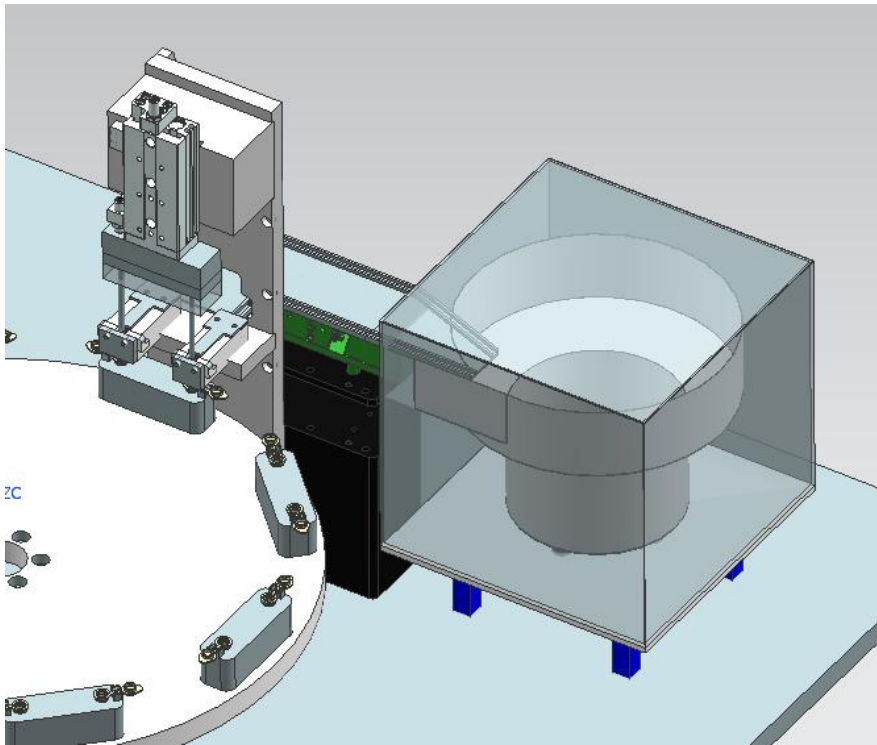
# Spin Column Assembly Machine

## Filters Cutting Station



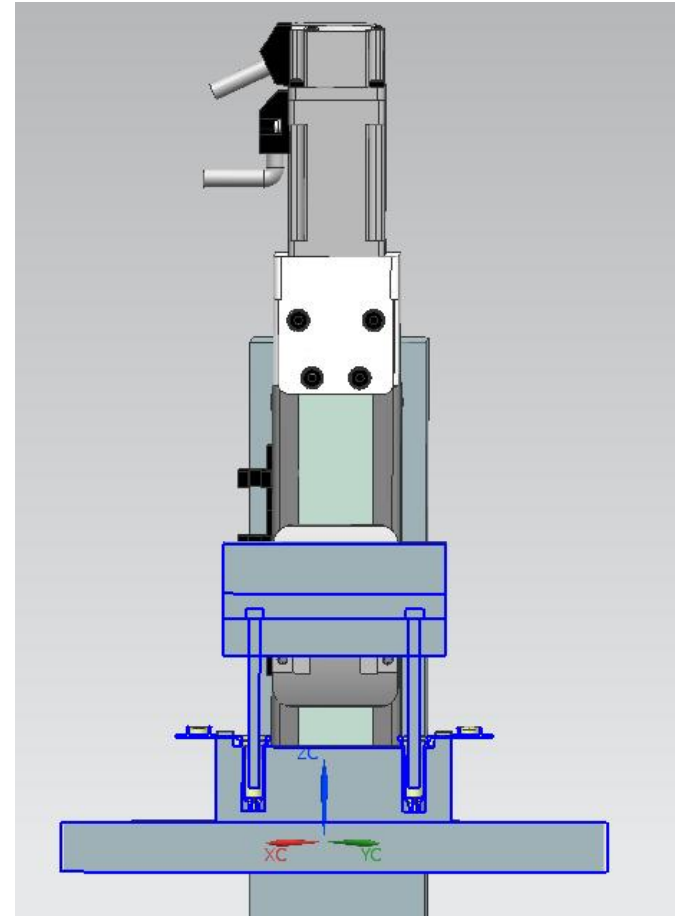
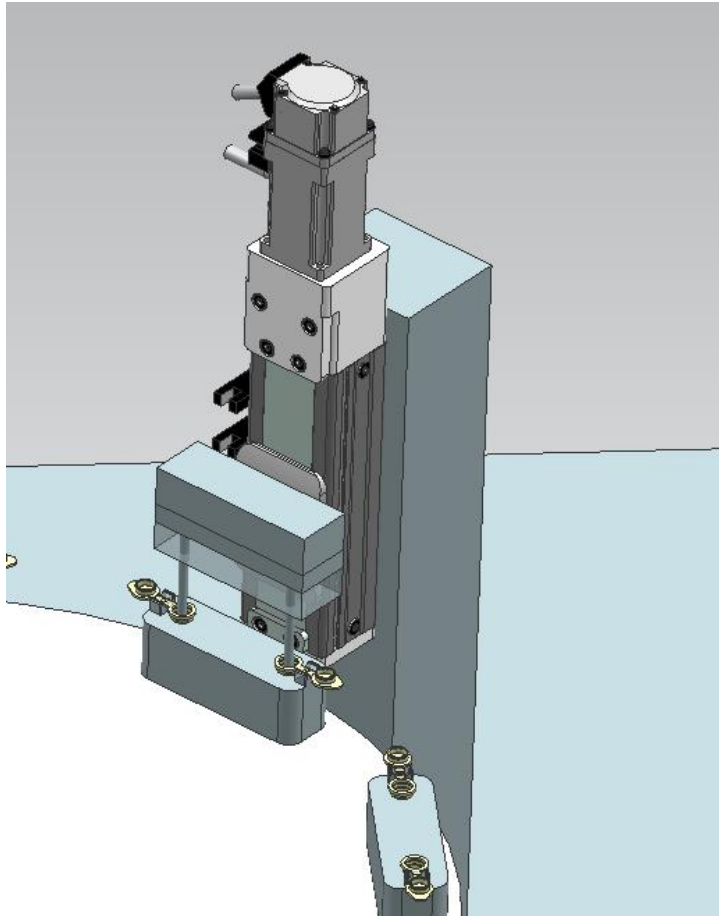
# Spin Column Assembly Machine

## O-ring Feeding Station



# Spin Column Assembly Machine

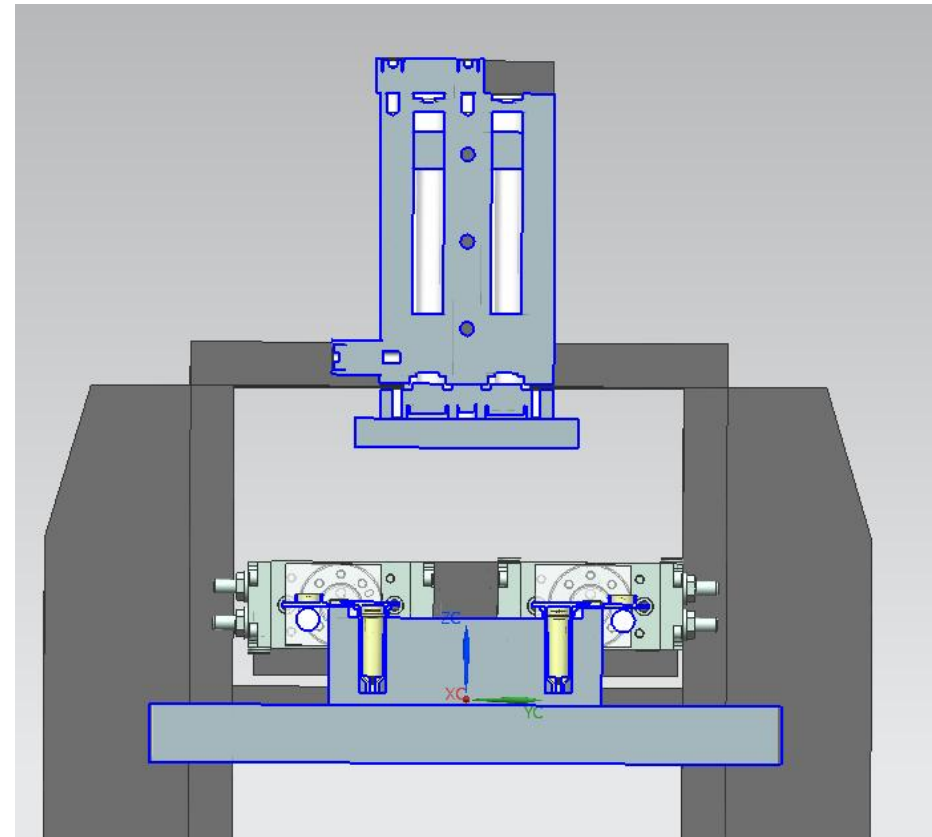
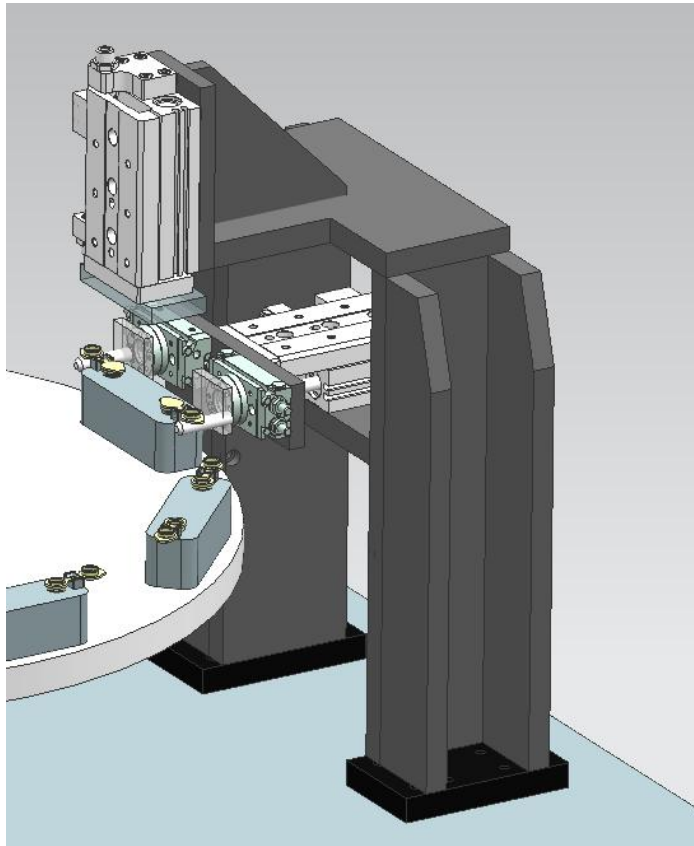
## O-ring Press Station





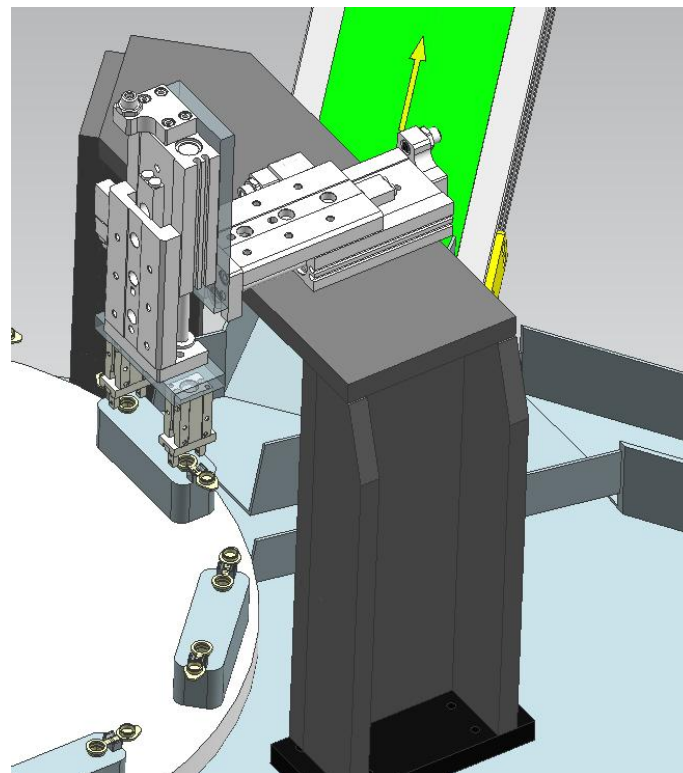
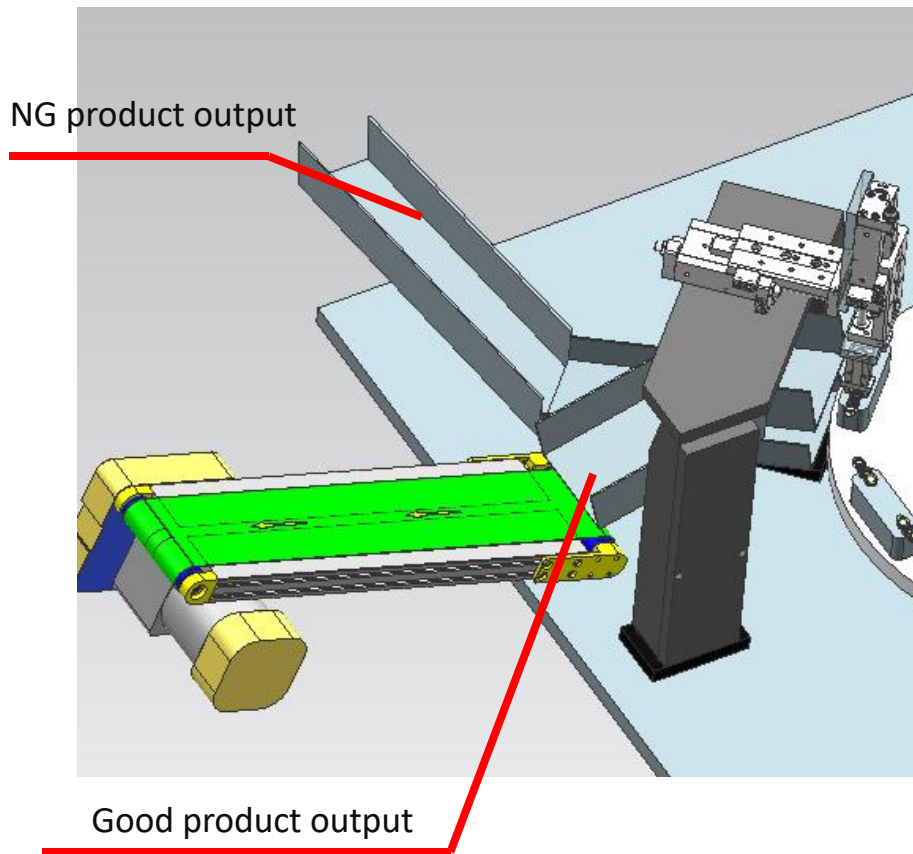
# Spin Column Assembly Machine

Close Lid



# Spin Column Assembly Machine

## Output Station



## Spin Column Assembly Machine

### Features

1. Touch screen
2. 2400 pcs/hour
3. Layers from 1 layer to 8 layers
4. NG product remove
5. Easy to use, maintenance

### Operation

1. Connet air supply, power supply
2. Place spin column into hooper
3. Place filter sheet into feeding tray
4. Place O-ring into hooper
5. Manual check all stations if working
6. Start, no materials alarm, clear alarm, start agin
7. Alarms if no column, filter, O-ring
8. Touch screen control pannel
9. E-stop/Stop, re-start, memory recovery

## Spin Column Assembly Machine

Parameters	
Capacity	2,400/H
Activation	90%
Materials feeder	Hooper
Air supply	0.5~0.8 MPa
Power supply	AC 220V / 50Hz
Inteneral supply	DC/24V
Power	3.5 KW
Weight	700kg
Dimension	L2.0 * W1.4 * H1.7m
Wooden packing	L2.5 * W1.9 * H2.0m
Hooper packing	L1.0 * W1.0 * H1.4m

## Spin Column Assembly Machine

Key Components	
PLC	Mitsubishi/Panasonic
Servo/Drive	Inovance / Leadshine
Relay	Schneider/Omron
Sensor	Omron/Panasonic
Air cylinder	SMC/AIRTAC
Solenoid Valve	SMC/AIRTAC
Air tube connector	SMC/AIRTAC