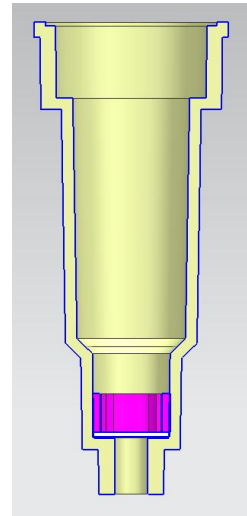
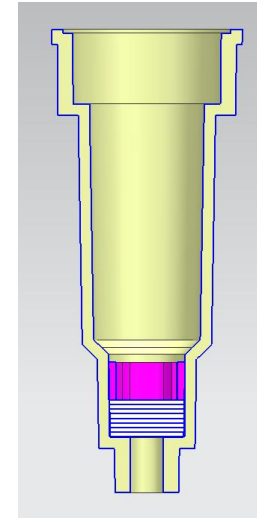


Spin Column Assembly Machine

Model: LFD00170



1 layer filter

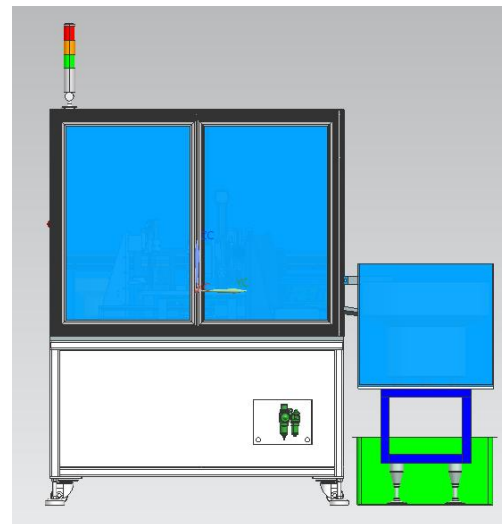
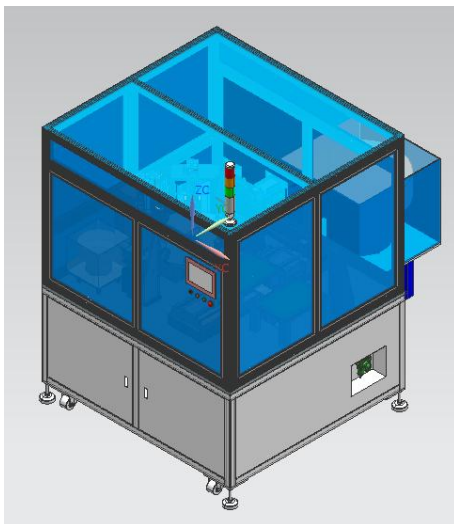
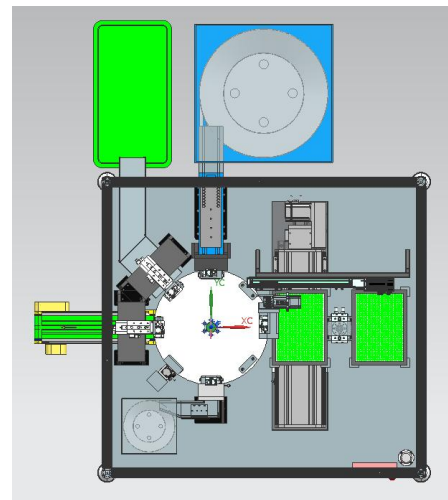
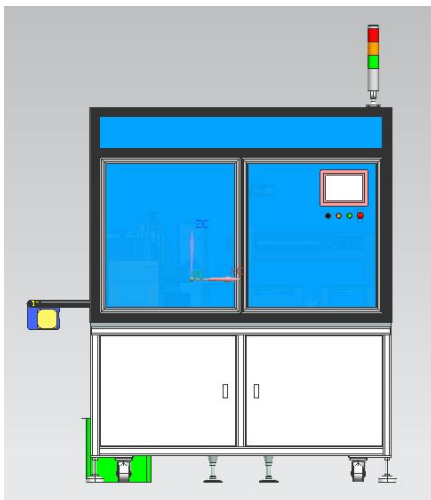


8 layers filter

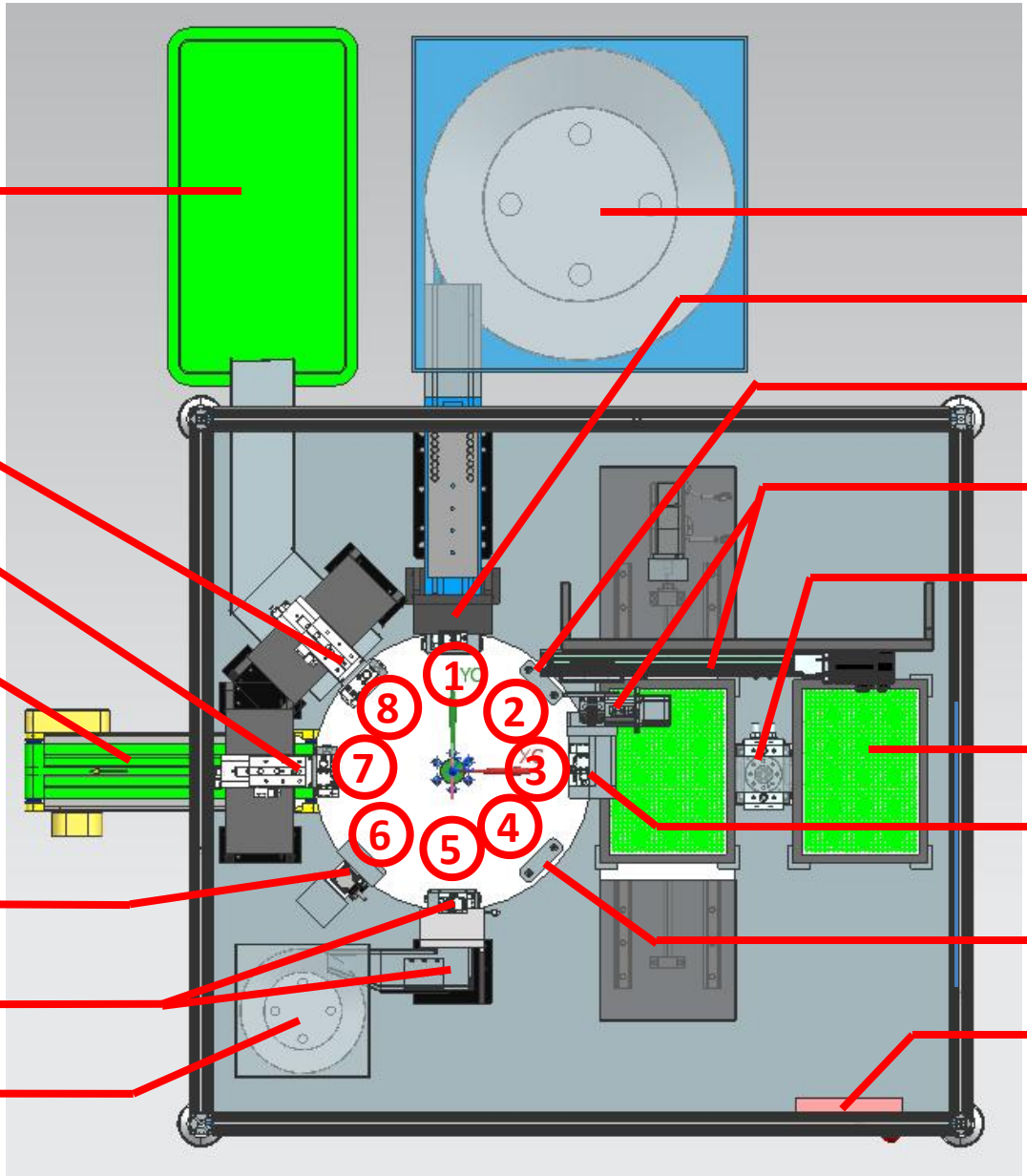
For 1 layer to 8 layers filter

Spin Column Assembly Machine

Overview



Spin Column Assembly Machine



8.2 NG products

1.1 Spin column hooper

1.2 Spin column feeder

2. Sensor for detection

3. Filter robot

3.2 Filter tray exchanger

3.3 Filter tray

3.4 Filter feeder

4.1 Sensor for filter detect

Control panel

8.1 NG product output

7.1 Quality product output

7.2 Conveyor

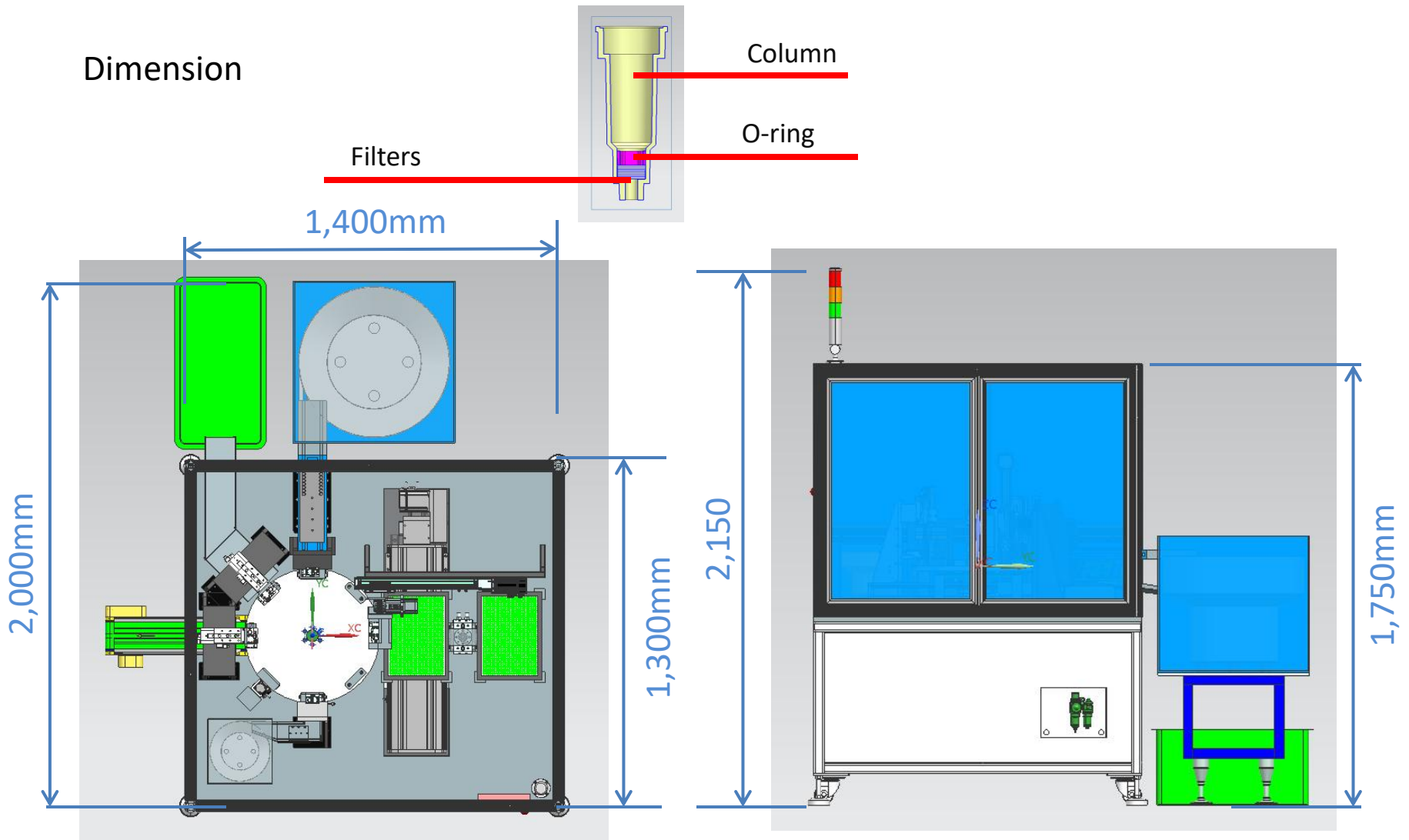
6. O-ring press

5.2 O-ring feeder

5.1 O-ring hooper

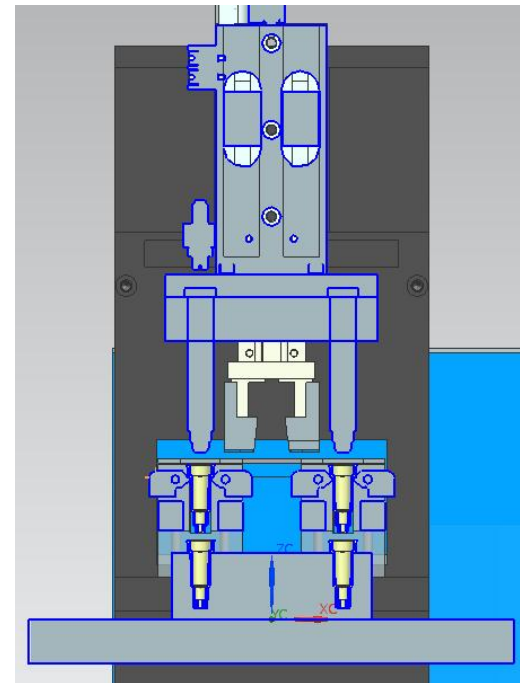
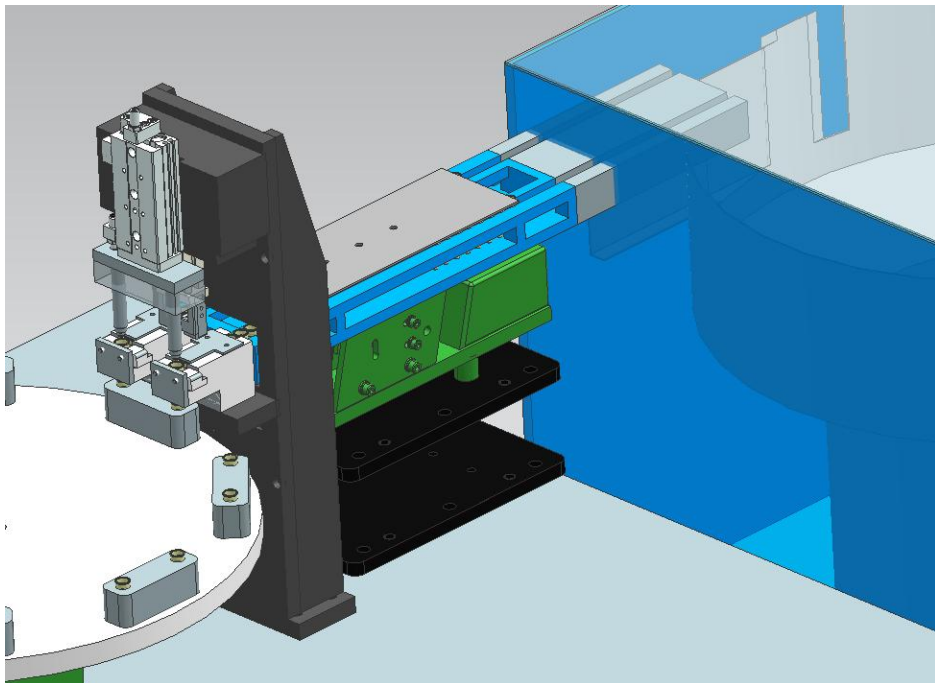
<https://antiteck.com/>

Spin Column Assembly Machine



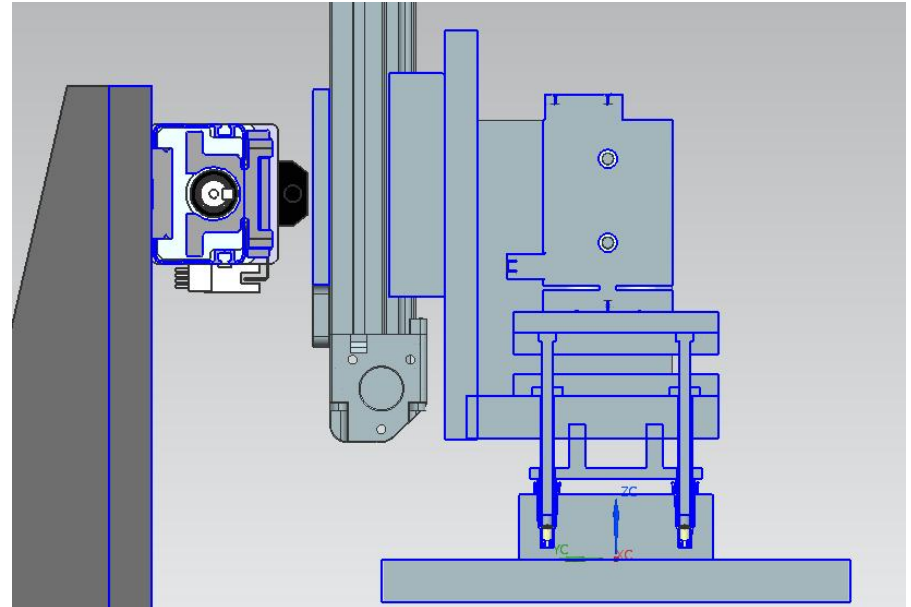
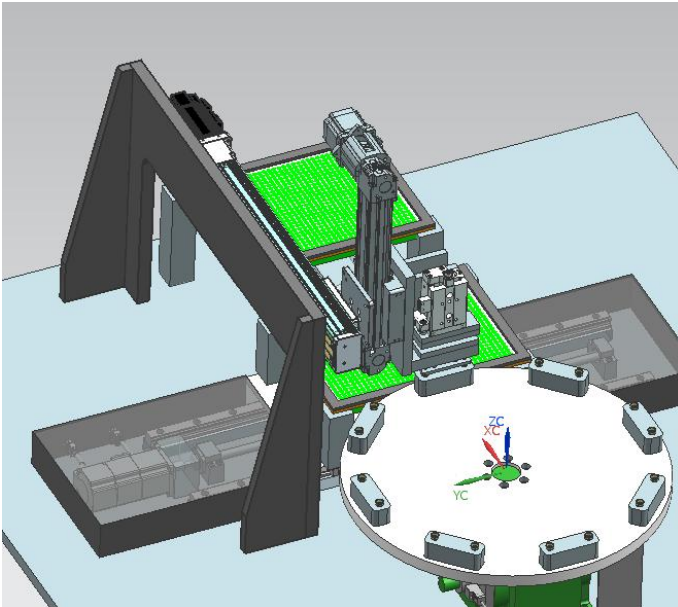
Spin Column Assembly Machine

Spin Column Feeding Station



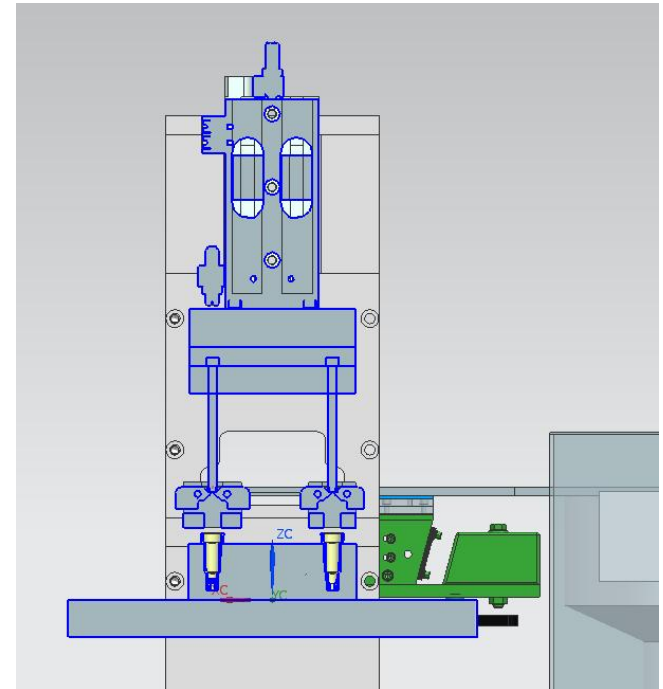
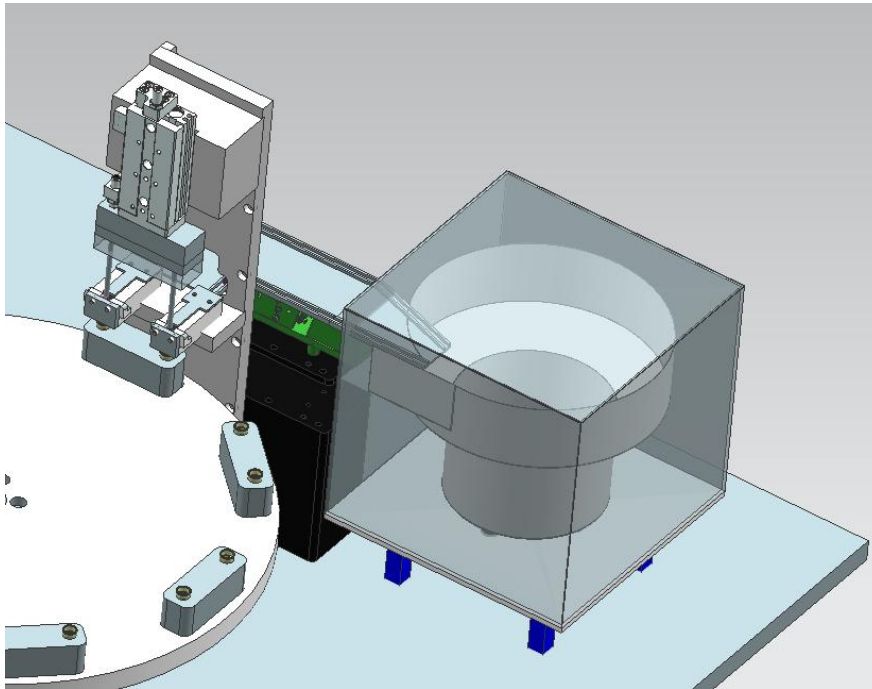
Spin Column Assembly Machine

Filters Cutting Station



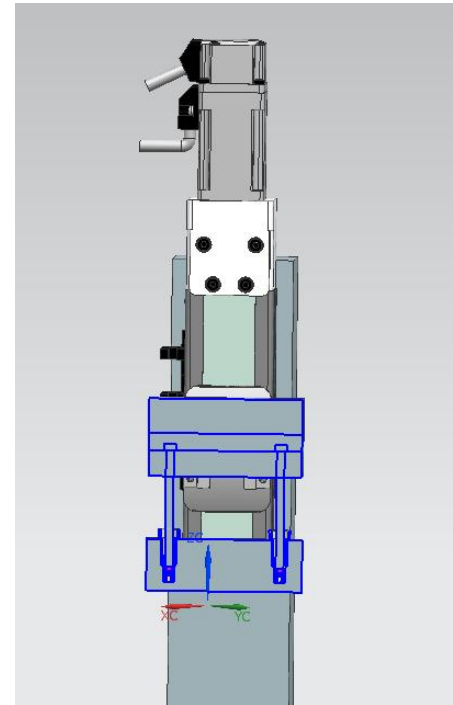
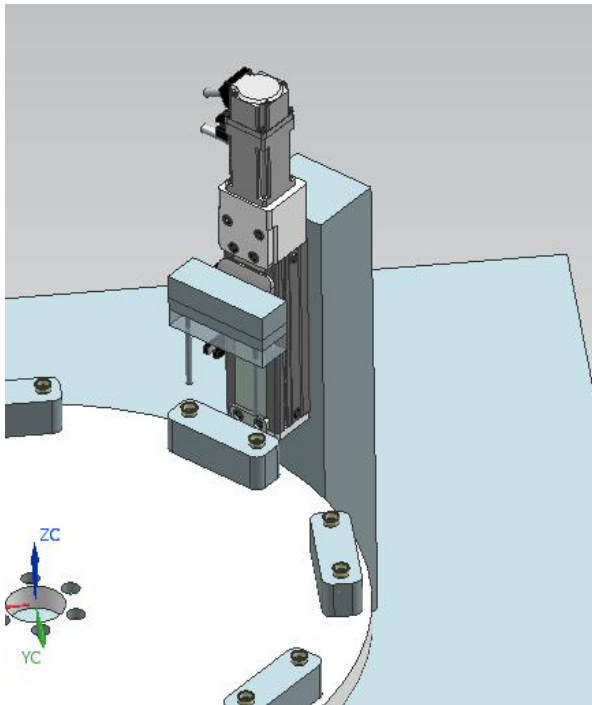
Spin Column Assembly Machine

O-ring Feeding Station



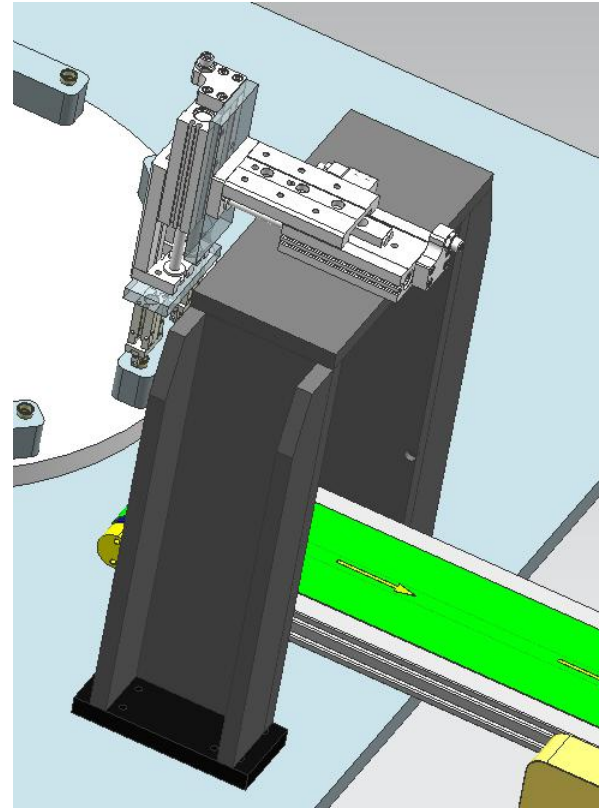
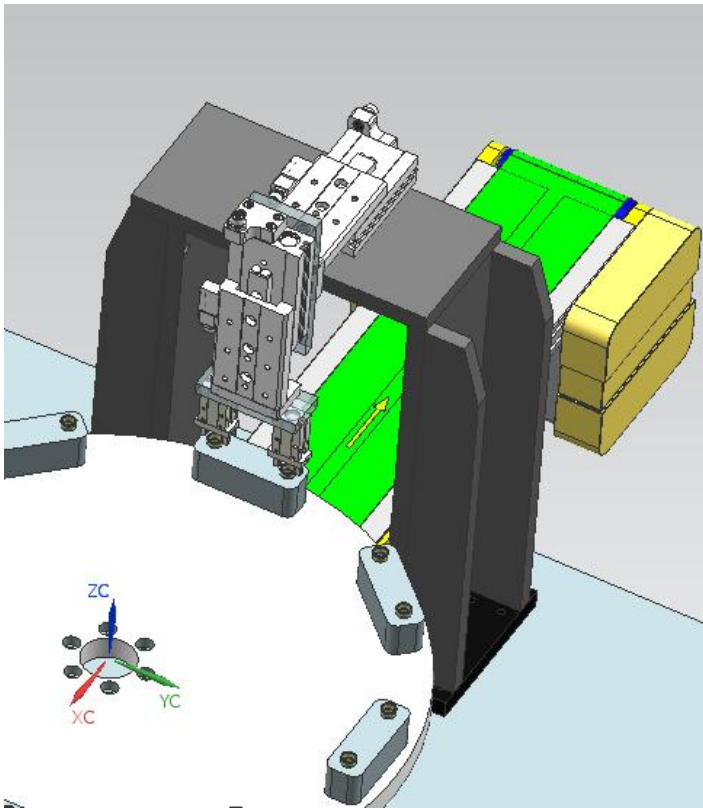
Spin Column Assembly Machine

O-ring Press Station



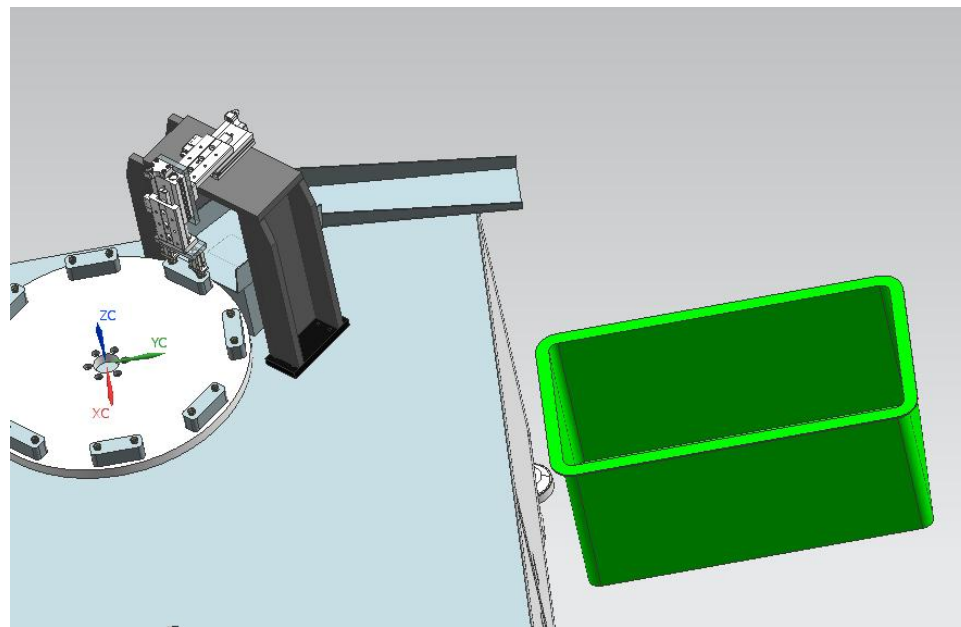
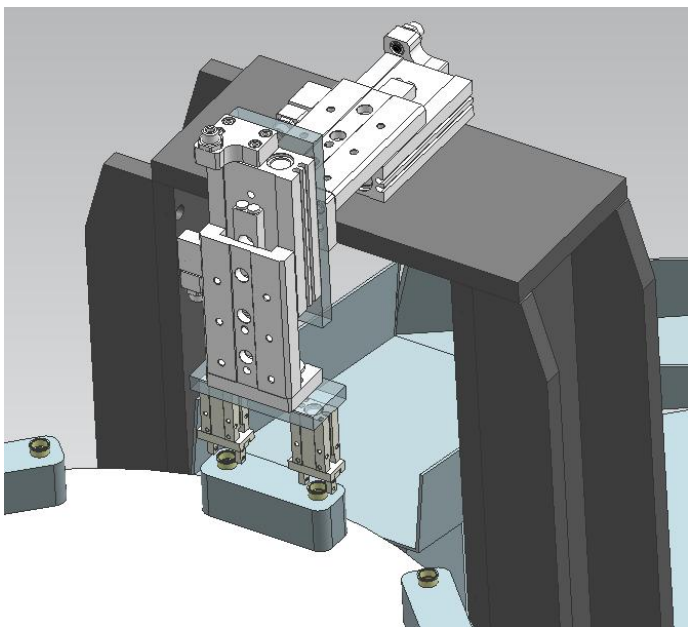
Spin Column Assembly Machine

Quality Product Output Station



Spin Column Assembly Machine

NG Product Output Station



Spin Column Assembly Machine

Features

1. Touch screen
2. 2400 pcs/hour
3. Layers from 1 layer to 8 layers
4. NG product remove
5. Easy to use, maintenance

Operation

1. Connet air supply, power supply
2. Place spin column into hooper
3. Place filter sheet into feeding tray
4. Place O-ring into hooper
5. Manual check all stations if working
6. Start, no materials alarm, clear alarm, start agin
7. Alarms if no column, filter, O-ring
8. Touch screen control pannel
9. E-stop/Stop, re-start, memory recovery

Spin Column Assembly Machine

Parameters	
Capacity	2,400/H
Activation	90%
Materials feeder	Hooper
Air supply	0.5~0.8 MPa
Power supply	AC 220V / 50Hz
Inteneral supply	DC/24V
Power	3.5 KW
Weight	700kg
Dimension	L2.0 * W1.4 * H1.7m
Wooden packing	L2.5 * W1.9 * H2.0m
Hooper packing	L1.0 * W1.0 * H1.4m

Spin Column Assembly Machine

Key Components	
PLC	Mitsubishi/Panasonic
Servo/Drive	Inovance / Leadshine
Relay	Schneider/Omron
Sensor	Omron/Panasonic
Air cylinder	SMC/AIRTAC
Solenoid Valve	SMC/AIRTAC
Air tube connector	SMC/AIRTAC