



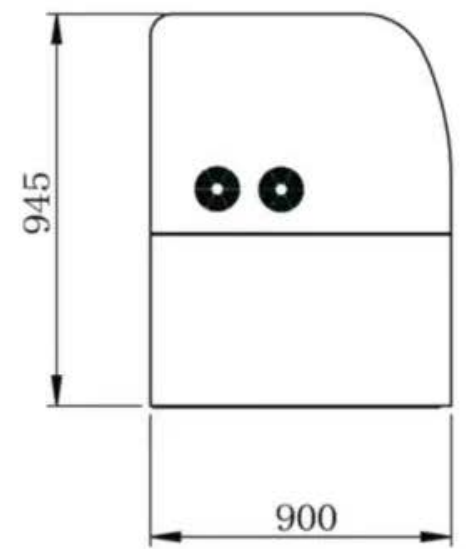
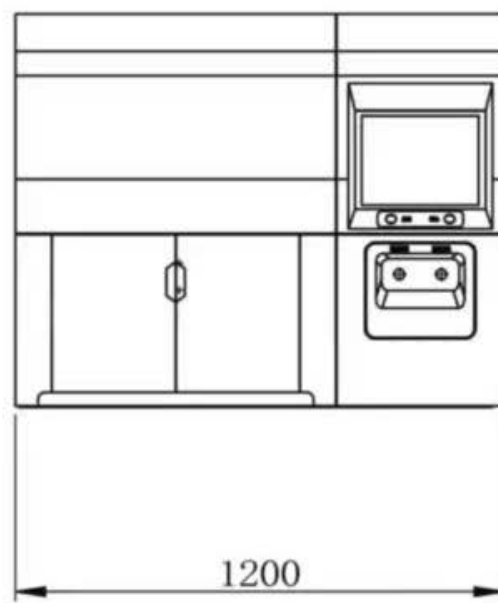
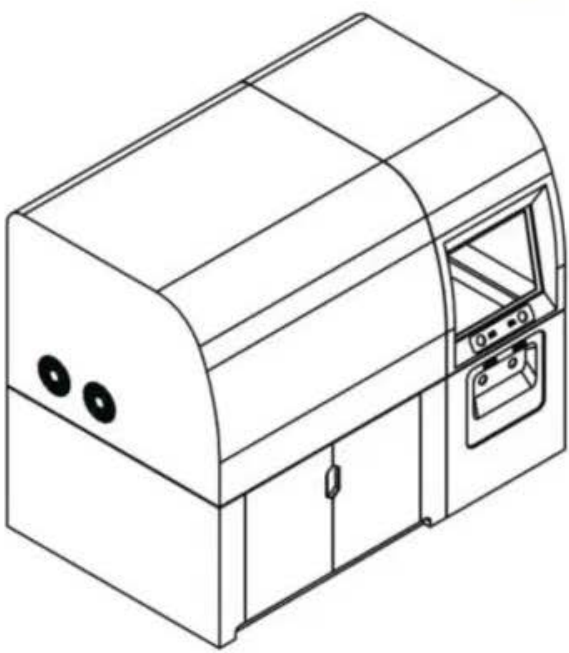
## Electron Beam Sterilizer

For research

### Specification >>

Parameter	MBE-120	MBE-160	MBE-200
Energy	80~120keV	100~150keV	160~200keV
Beam precision	>99%	>99%	>99%
Tray dimension	300×210mm	300×210mm(Customized)	300×210mm(Customized)
Irradiation dose	adjustable		
Surface dose inhomogeneity	≤3%		
Radiation safety	Fully shielded design, maximum leakage <1uSv/h		

### Product Size >>



### Advantages >>

- 1) Vacuum chamber included
- 2) Small dimension
- 3) Easy to use and maintenance
- 4) High precision
- 5) Irradiation dose evenly distributed

### Application >>

- ★ Polymer Materials Science
- ★ Ink printing layer curing
- ★ Glue layer curing
- ★ Metal surface treatment
- ★ Room temperature sterilization
- ★ Chemicals & Materials
- ★ Food and food processing
- ★ Biological and pharmaceutical
- ★ Environmental protection
- ★ Composite material
- ★ New material

### How To Setup Electron Beam Irradiation Plant For Medical Devices Sterilization?

- ▶ <https://antiteck.com/how-to-setup-electron-beam-irradiation-plant-for-medical-devices-sterilization/>